

GEA Tuchenhagen GmbH - Technical Enquiry Form for VARIPURE Cleaner

Vessel Characteristics

CIP Inlets/ Fittings

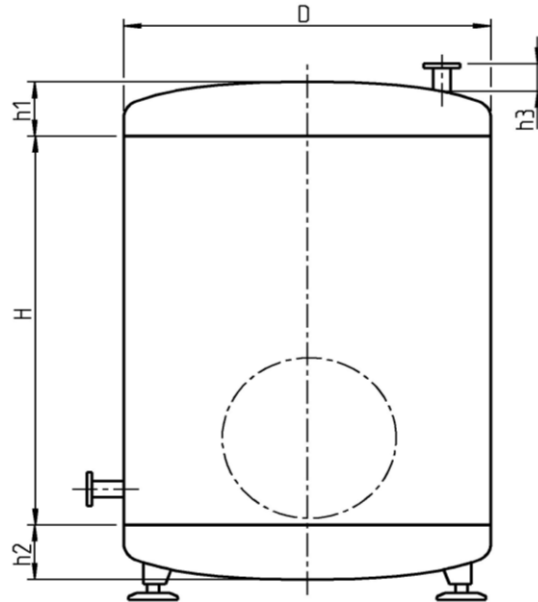
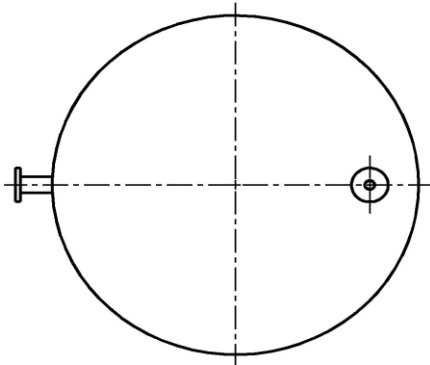
Tank vertical: horizontal:

H (high) cm
 L (length) cm
 D (diameter) cm

h1 (cover) cm h2 (bottom) cm h3 (nozzle) cm

Lateral view draw in the internal fittings and the filling level

Topview draw in the nozzles



If available please supply detailed tank drawing/ sketch to assist with this enquiry

Shape tank bottom (Sketch):		Shape top cover (Sketch):	
<p>Requested spray pattern:</p> <div style="display: flex; justify-content: space-around; align-items: flex-start;"> <div style="text-align: center;"> <p>A</p> <p><input type="checkbox"/></p> <p>360°</p> </div> <div style="text-align: center;"> <p>B</p> <p><input type="checkbox"/></p> <p>180°</p> </div> <div style="text-align: center;"> <p>C</p> <p><input type="checkbox"/></p> <p>180°</p> </div> </div>		<p>Internal fittings:</p> <div style="display: flex; justify-content: space-between;"> <div> <p><input type="checkbox"/> Agitators/ Mixer</p> <p><input type="checkbox"/> Heating Coil</p> <p><input type="checkbox"/> Measuring instruments</p> </div> <div> <p><input type="checkbox"/> Scrapers</p> <p><input type="checkbox"/> Baffel</p> </div> </div> <p>Other:</p>	
<p>Cleaners: QTY:pcs Use: fixed <input type="checkbox"/> mobile <input type="checkbox"/></p>		<p>Placing of the cleaner: from top <input type="checkbox"/> from bottom (man hole) <input type="checkbox"/></p>	
<p>Further comments / information:</p>			